

Product data sheet

BKD150-K-SM(D)/(L)

Bayonet-single sealing sleeve with tubular connecting sleeve BKD 150



Advantages and benefits:

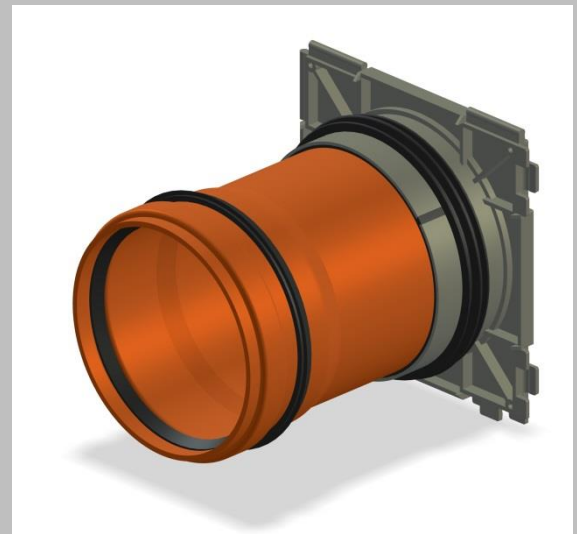
- fast, simple assembly
- permanent reliable sealing
- formation of bundles by simple plugging together the wall inserts
- direct connection of a smooth cable conduit with a pipe fitting
- possibility of connecting smooth pipes with outside diameters of 110, 125 or 160 mm
- one-sided connection possibility of numerous variants due to custom-fit system covers and system inserts

Technical details:

- gas- and watertight up to 0.5 bar
- frame size: 220 x 220 mm (per wall insert)
- centre distance: 210 mm
- minimum wall thickness: 200 mm
- use in creating building structures with waterproof concrete (white trough); stress class 1 and 2
- direction of installation to be determined

Material specification:

Wall insert (ABS) with 3-web gasket (TPE), blind cover (ABS) with sealing lip (TPE), pipe fitting (PVC), sealings of the pipe fitting (SBR); water barrier pipe fitting (SBR)



Standard versions:

Product	L = Wall thickness (special lengths on request)
BKD150-K-SM110/(L)	200 - 500 mm
BKD150-K-SM125/(L)	200 - 500 mm
BKD150-K-SM160/(L)	200 - 500 mm