

Product data sheet

FU-KFR/(A)/U(L)

Plastic wall sleeve with adhesive flange



Advantages and benefits:

- Use in structures or parts made of waterproof concrete
- With adhesive flange for application of liquid waterproofing materials (black trough) according to DIN 18533
- Length scale for simplified length adjustment by the customer
- Can be extended on site for component thicknesses > 500 mm
- Fixing lugs allow variable fixing in the reinforcement and formworks



Technical data:

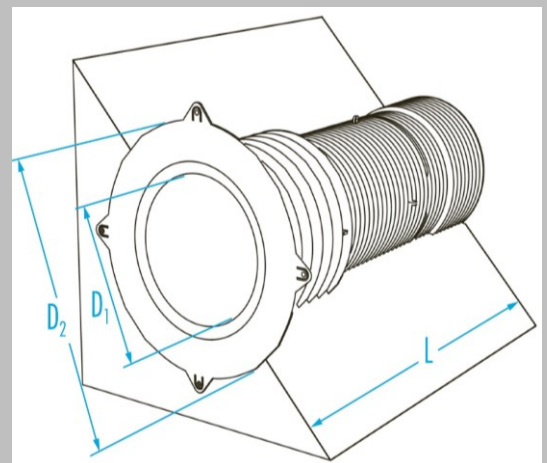
- Suitable for WU concrete stress class 1 and 2
- Gas and water tight
- Radon-proof according to FHRK leaflet MB 101, meets the requirements for radon precautionary areas
- Adhesive flange according to DIN 18533 W2.1-E (50 mm circumferential)

Material specification:

Plastic wall sleeve (100% recycled ABS), protective cover (PE)

Test certificates:

FHRK-certificate GE102



Product data sheet

FU-KFR/(A)/U(L)

Plastic wall sleeve with adhesive flange



Variants:

Product name (D ₁) [mm]	Length L [mm]	Adhesive flange-AD D ₂ [mm]
FU-KFR/100/U300	300	205
FU-KFR/100/U500	500	205
FU-KFR/150/U300	300	255
FU-KFR/150/U500	500	255
FU-KFR/200/U300	300	305
FU-KFR/200/U500	500	305