

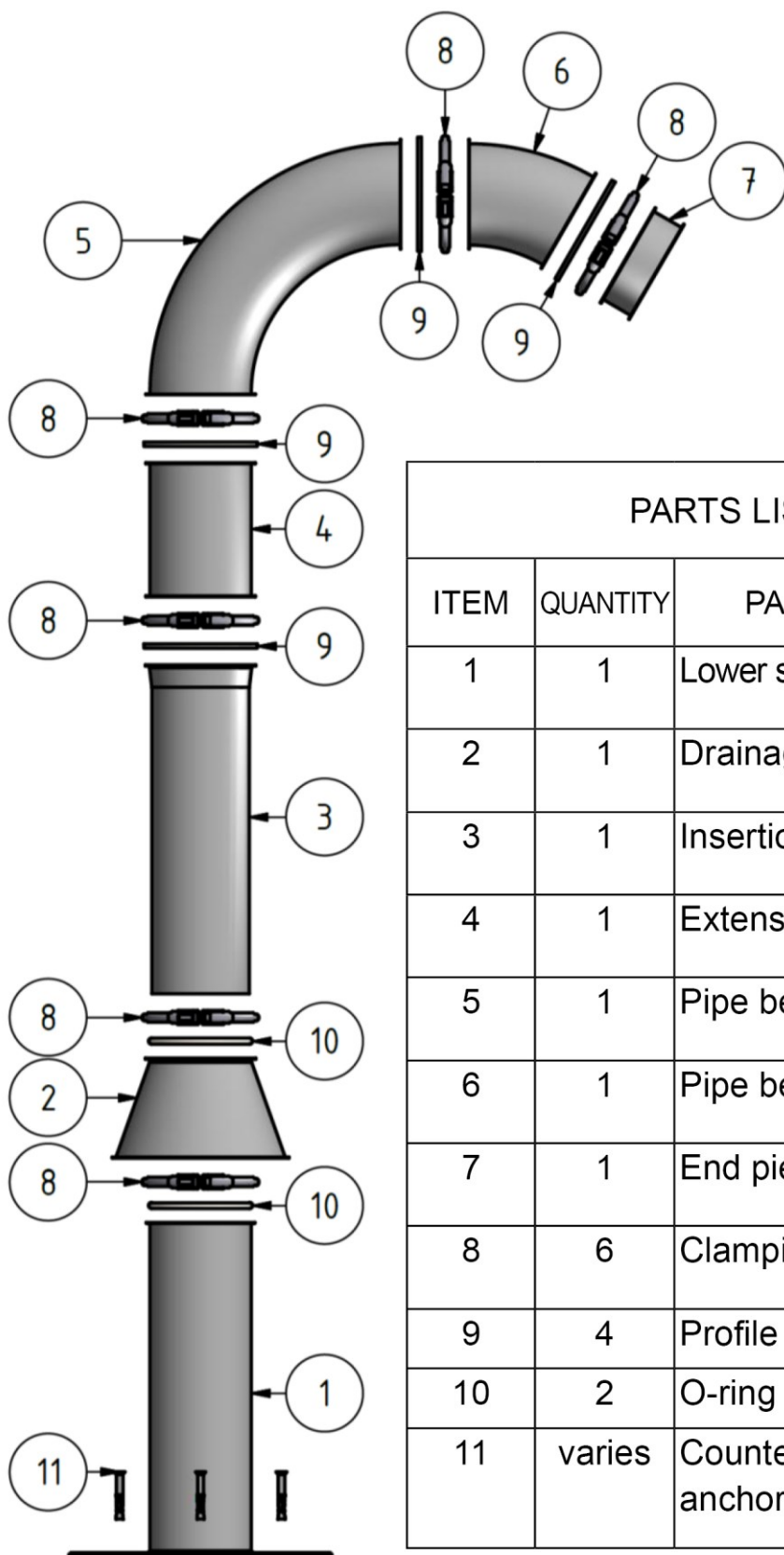
# Swan neck penetration

for flat roofs

SHDD 100, 150, 200, 300



Assembly instructions



PARTS LIST		
ITEM	QUANTITY	PART NUMBER
1	1	Lower section with flange
2	1	Drainage hood
3	1	Insertion tube
4	1	Extension
5	1	Pipe bend 90°
6	1	Pipe bend 30°
7	1	End piece
8	6	Clamping ring
9	4	Profile seal
10	2	O-ring
11	varies	Countersunk wall anchor 10/10/M6/VZ

# Swan neck penetration

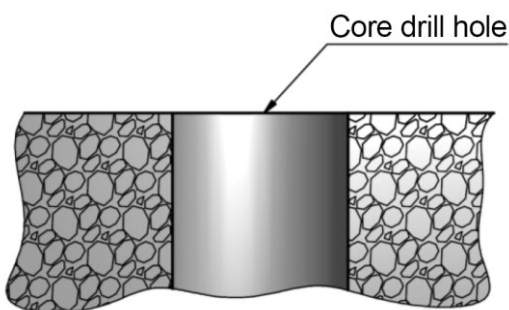
for flat roofs

SHDD 100, 150, 200, 300



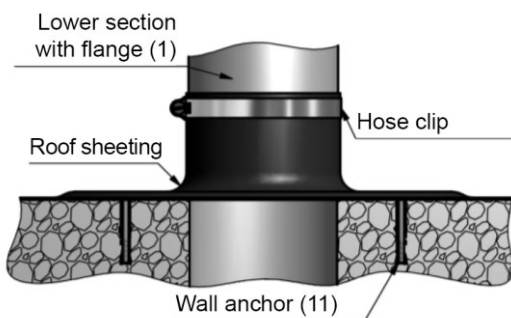
Assembly instructions

- **Observe the nationally valid standards, regulations and the technical rules of the roofer ordinance!**
- **Include SHDD in the local equipotential bonding system per DIN VDE 0100-410!**
- **If a lightning protection system is installed on the building, protect metal roof installations with separate interception rods per DIN V VDE 0185-3-2002-11!**



## Establishing the core drill hole

SHDD100:  $\varnothing_{\min}=100$  mm /  $\varnothing_{\max}=105$  mm  
SHDD150:  $\varnothing_{\min}=150$  mm /  $\varnothing_{\max}=155$  mm  
SHDD200:  $\varnothing_{\min}=200$  mm /  $\varnothing_{\max}=205$  mm  
SHDD300:  $\varnothing_{\min}=300$  mm /  $\varnothing_{\max}=305$  mm



## Wall-mount the lower section with flange

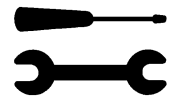
- Centre the lower section with flange (1) to the core drill hole and drill wall plug holes.
- Clean holes.
- Knock in wall anchors (11) and tighten with an Allen key.
- Clean surfaces to be sealed and lay roof sheeting.
- Fit the roof sheeting to the lower section with flange (1) at the pipe, if necessary fasten with a hose clip (not included in the scope of supply).
- Weld roof sheeting onto the flange (1).

- **In order to avoid the dew point (condensate) arising in the core drill hole and lower section with flange, insulate the cover side and seal air-tight, or fit a second rubber press seal in the core drill hole.**

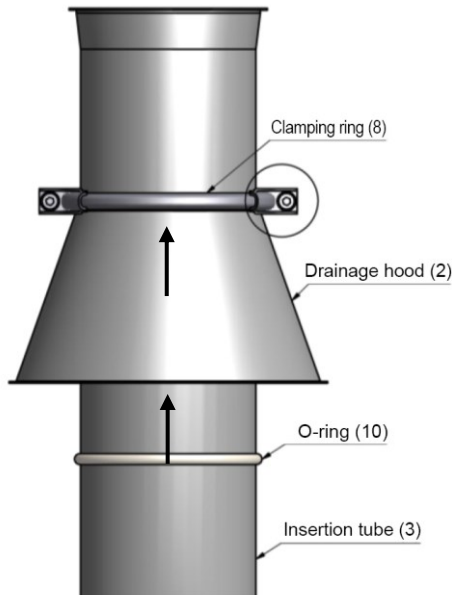
# Swan neck penetration

for flat roofs

SHDD 100, 150, 200, 300

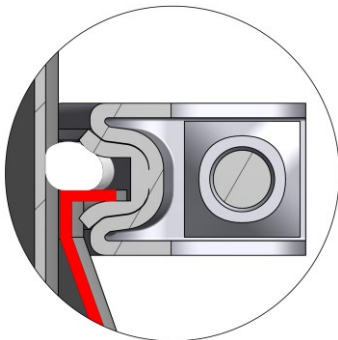


Assembly instructions



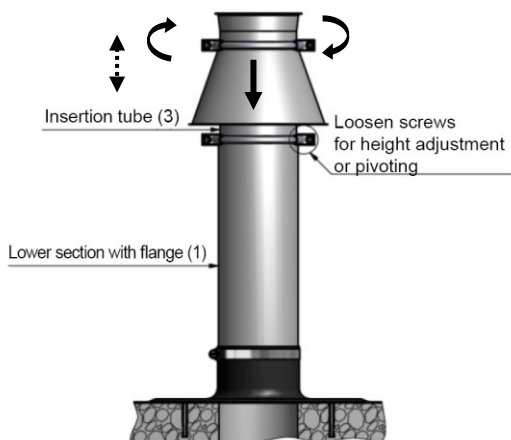
## Assembling the insertion tube (3) / drainage hood (2)

- Draw O-ring (10) over insertion tube.
- Slide drainage hood (2) over insertion tube (3) to the O-ring (10).
- Open clamping ring (8) on one side and loosen the second side as far as possible.
- Fold clamping ring (8) around the flanged edge of the drainage hood (2) and adjacent O-ring (10) and fasten.  
**Attention: Check for correct seating!** (see next figure)
- Draw second O-ring onto insertion tube.



## Detailed cross sectional view of O-ring seating!

**Check for correct seating!**



## Assembling the insertion tube (3) / lower section (1)

- Guide pre-assembled insertion tube (3) to the O-ring (10) in the lower section with flange (1) and fit clamping ring (8) as described previously.

**Using the insertion tube, it is possible to adjust the height of the SHDD by approx. 200 mm!**

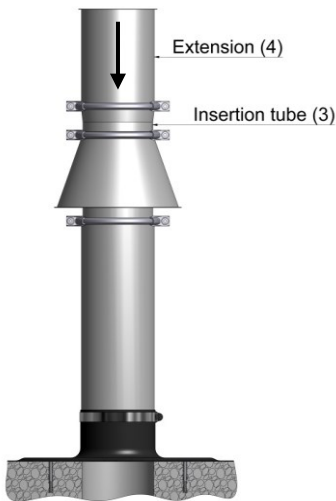
# Swan neck penetration

for flat roofs

SHDD 100, 150, 200, 300



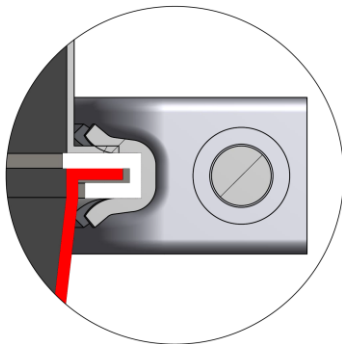
Assembly instructions



## Assembling the extension (4) / insertion tube (3)

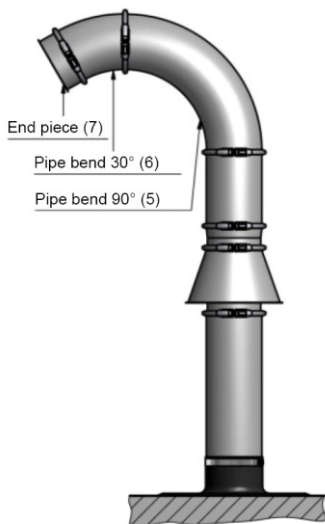
- Draw the profile seal (9) to the flanged edge of the insertion tube (3).  
**Attention: Check for correct seating!**  
(see next figure)
- Fit insertion tube (3) and extension (9) with clamping ring (8) as described previously.

**By omitting the extension it is possible to reduce the height of the SHDD by 200 mm!**



**Detailed cross sectional view of profile seal seating!**

**Check for correct seating!**



## Assembling the pipe bend (5,6) / end piece (7)

- Fit pipe bend 90° (5), pipe bend 30° (6) and end piece (7) with profile seal (9) on one side respectively and mount with clamping ring (8) in the described sequence.

### Important note:

**We accept no warranty claims in case of deviations from the information in the assembly instructions and/or with incorrect use of our products.**

**This also applies to combinations with external products that have not been approved by us.**

You find assembly instructions in other languages on the side [www.uga.eu](http://www.uga.eu) or on inquiry!