

MK

Wall collar



24 hour delivery
service

Quality
guarantee



Worldwide sales
network

Service hotline
+49 7324 9696-33

UGA wall collar MK

Dimensions and order numbers

Service hotline
+49 7324 9696-33

► General information

Hydrostatic sealing of steel, cast iron, copper, plastic, glass-fibre reinforced concrete, concrete and stoneware pipes through walls, ceilings, floors, shaft entries, swimming pools and groundwater tanks. The UGA wall collar is the right solution wherever no wall sleeve or core drilling can be retrofitted.

- Water pressure-tight
- Radon-tight
- For pipe Øa 32 to Øa 315 mm tested up to 5 bar
- From pipe Øa 355 tested up to 4 bar
- Delivery with 2 metal tensioning straps each

Material of high value/unit rubber	
Tensile strength	9.5 N/mm ²
Elongation at break	500.0%
Shore hardness A	45 +/- 5 °
Operating temperature max.	80°C
Minimum temperature	- 40°C

Note: The UGA wall collar is not a pipeline fixed point.

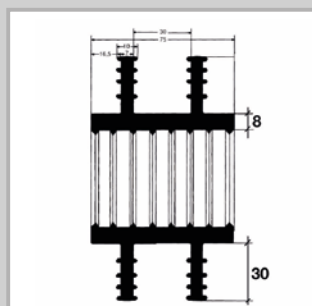
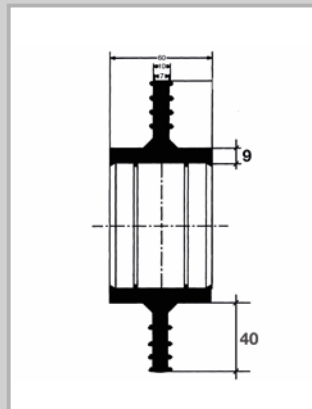
► Dimensions and order numbers

Pipe Øa in mm	Clamping range		Product name
	from pipe Øa	to pipe Øa	
32	29	32	MK32
40	38	42	MK40
50	48	53	MK50
63	60	64	MK63
75	71	80	MK75
90	84	92	MK90
110	105	116	MK110
125	120	130	MK125
140	135	148	MK140
160	154	166	MK160
180	175	190	MK180
200	195	210	MK200
225	215	230	MK225
250	245	260	MK250
280	275	290	MK280
315	310	327	MK315
355	350	365	MK355
400	395	410	MK400
450	440	460	MK450
500	495	515	MK500
560	555	580	MK560
630	625	650	MK630
710	705	735	MK710
800	795	830	MK800
900	895	930	MK900
1000	995	1030	MK1000
1200	1195	1240	MK1200
1400	1395	1450	MK1400

Dimensions in mm (all information subject to change)

► Installation instructions

1. Use cloths or similar material to clean the pipe surface which is to be concreted.
2. Push the wall collar up to the middle of the concrete or middle of the masonry.
3. Attach the straps on both sides. Place the strap around the wall collar and insert the end of the strap into the slot of the turnbuckle, if this has not been done ex works.
4. Turn the turnbuckle screw to the right using a screwdriver or hexagon wrench and press the turnbuckle gently until the body is secured in position.



UGA SYSTEM-TECHNIK GmbH & Co. KG
Building Technology Systems
Heidenheimer Str. 80 – 82, 89542 Herbrechtingen,
Germany
Tel. +49 7324 9696-0, Fax +49 7324 9696-96
info@uga.eu, www.uga.eu

We shall supply replacements for all parts that impair functionality due to material defects. No replacements will be provided for defects that are due to transport or storage or are caused by incorrect processing or installation or consequences of such. Our information is based on current technical knowledge. Subject to technical changes. Because of the abundance of possible influences during assembly and use, our information does not exempt processors and users from their own trials and tests.

The corresponding installation instructions apply to all UGA products.