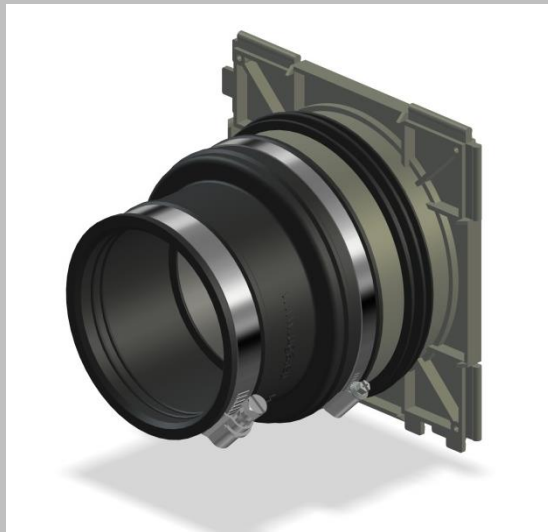


Product data sheet

BKD150-K-MA(D)/(L)

Bayonet-single sealing sleeve in collar-
technique BKD 150



Advantages and use:

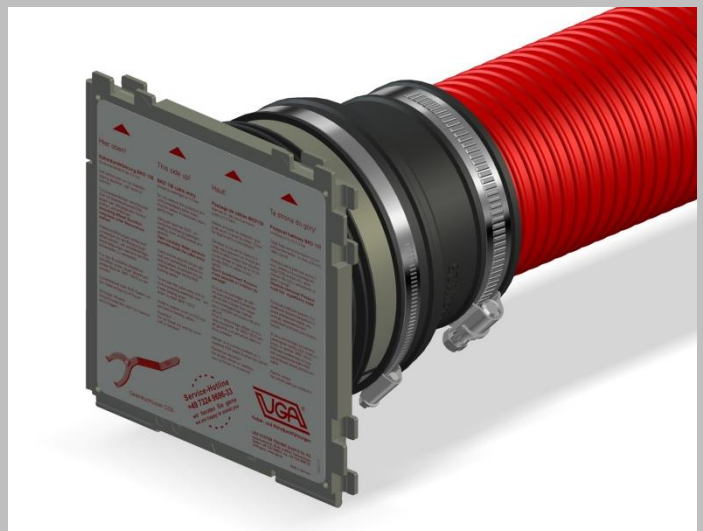
- Quick and easy installation
- Permanently reliable sealing
- Elastic connection in collar technique
- For connection of conduit and cable protection systems (e.g. KSS150)
- For smooth-walled and corrugated pipes
- Simple plugging together of the sealing sleeve allows the formation of packs
- One-sided connection possibility of various variants due to custom-fit system covers and system inserts

Technical details:

- Gas- and watertight up to 0.5 bar
- Frame size: 220 x 220 mm (per sealing package)
- Centre distance: 210 mm
- Minimum wall thickness: 200 mm
- Use in structures still to be constructed for WU concrete structures (white tank) Stress class 1 and 2
- Direction of installation to be determined

Material specification:

Sealing sleeve (ABS) with 3-web seal (TPE), blind cover (ABS) with TPE gasket (TPE), collar (EPDM), tensioning straps (V2A)



Standard versions:

Product	Clamping range	KSS-tube
BKD 150-K-MA125/(L)	110 – 125 mm	KSS110-S
BKD 150-K-MA145/(L)	130 – 145 mm	KSS125-S
BKD 150-K-MA170/(L)	160 – 170 mm	KSS150-S