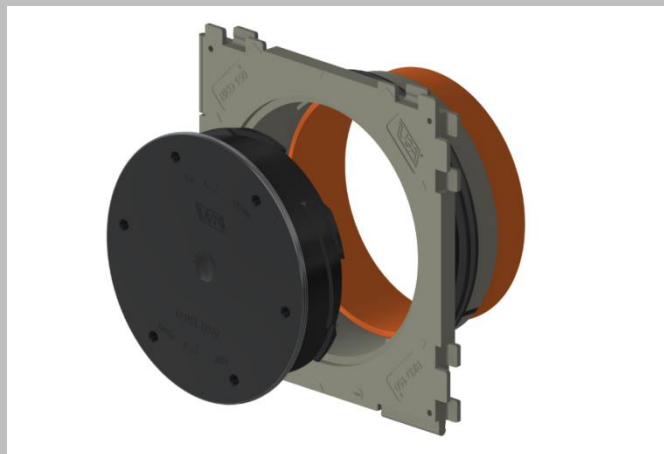


Product data sheet

BKD150-K/(L)

Bayonet single sealing sleeve BKD150



Advantages and use:

- Quick and easy installation
- Gas-tight and pressure-water-tight due to blind cover already during installation
- Permanently reliable sealing
- One-sided connection possibility of various variants due to custom-fit system covers and system inserts
- Simple plugging together of the sealing sleeves allows the formation of packs
- No post-processing required
- Centre distance can be increased by 40 mm by means of spacers

Technical details:

- Gas- and watertight up to 2.5 bar
- Frame size: 220 x 220 mm (per sealing package)
- Centre distance: 210 mm
- Minimum wall thickness: 50 mm
- Use in structures still to be constructed for WU concrete structures (white tank) Stress class 1 and 2
- Direction of installation to be determined

Material specification:

Sealing sleeve (ABS), 3-web gasket (TPE)
Intermediate pipe (PVC), Closure cap (ABS) with TPE gasket

Test certificates:

Fraunhofer Institut IFAM Leak test

